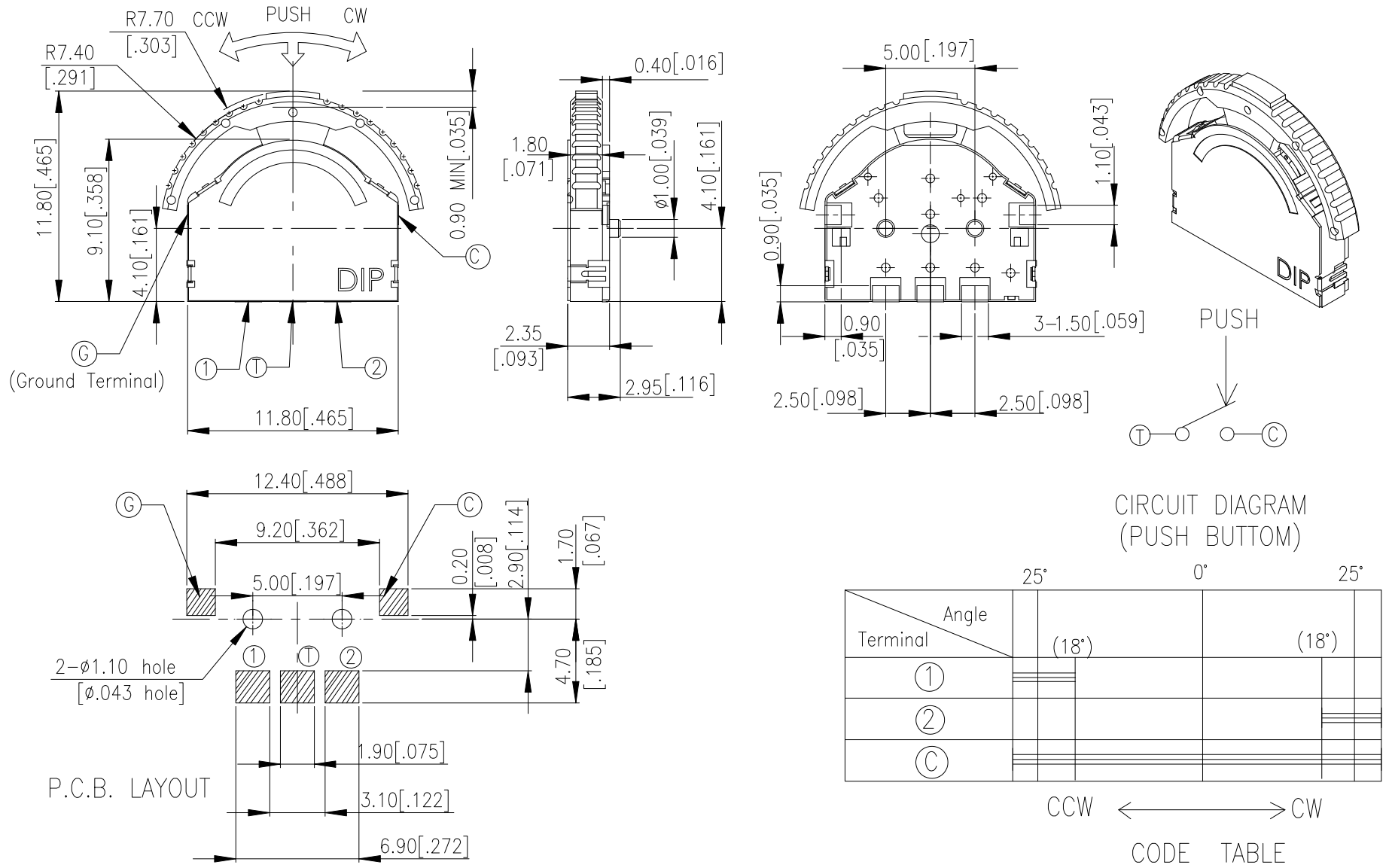


PL3 SERIES



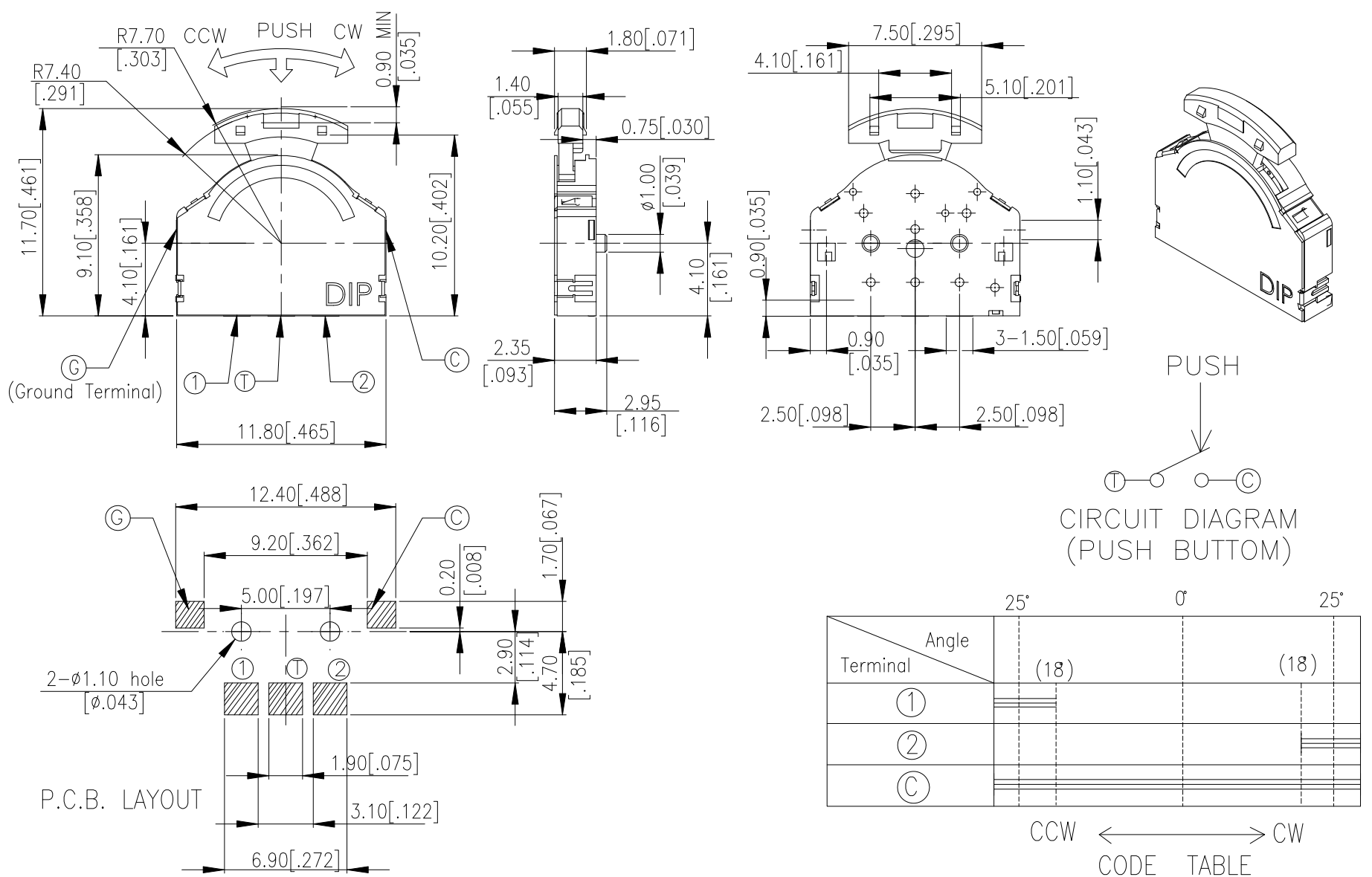
DIMENSIONS

PL3-AC-V



General Tolerance: ±0.2mm

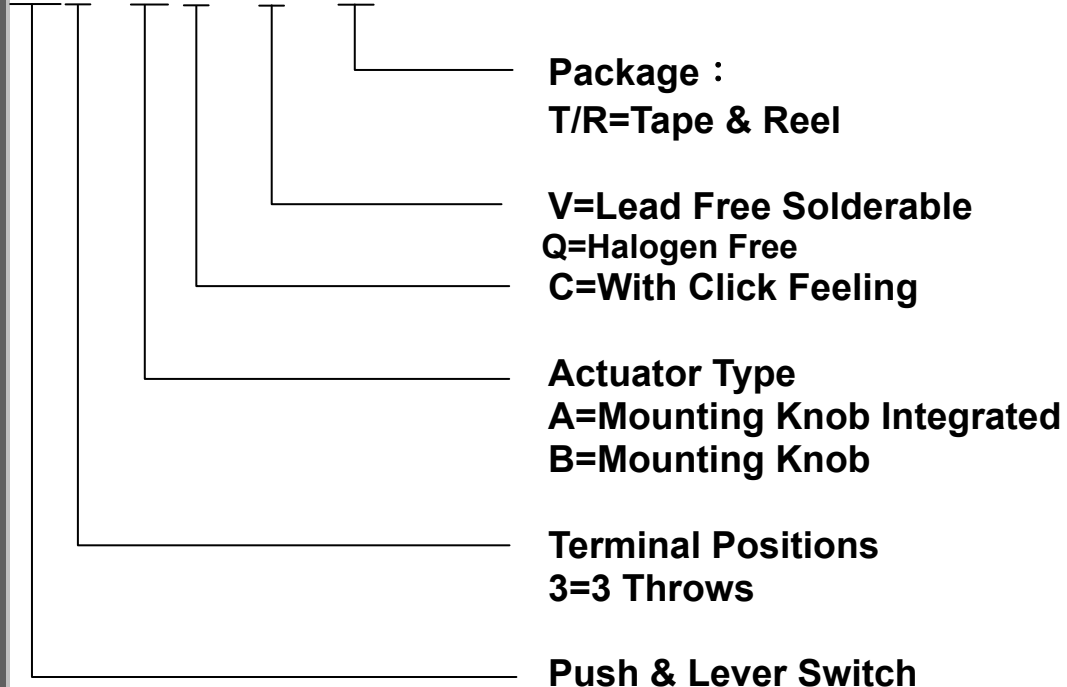
PL3-BC-V



General Tolerance: ±0.2mm

HOW TO ORDER

PL 3 - □ C - □ - □



SPECIFICATION

△MECHANICAL

Operation Force: Center push 200±100gf.

Lever{CW.CCW} 70±50gf

Operation Temperature Range: -10 °C to +60 °C

Storage Temperature Range: -30 °C to 80 °C

Mechanical Life: 100,000 cycles.

△ELECTRICAL

Electrical Life: 100,000 cycles

Rating:10mA , 5VDC

Contact Resistance: 500Ω max.

Insulation Resistance: 100MΩ min. 100V DC

Dielectric Strength: 100VAC / 1 minute

Circuit: Single pole single throw.

MATERIAL

△Cover : Stainless steel.

△BASE : UL940V-0 High-Temp Thermoplastic.

Color : Black

△STEM : UL940V-0 High-Temp Thermoplastic.

Color : Black

△CONTACT : Phosphor bronze with silver cladding at Contact surface.

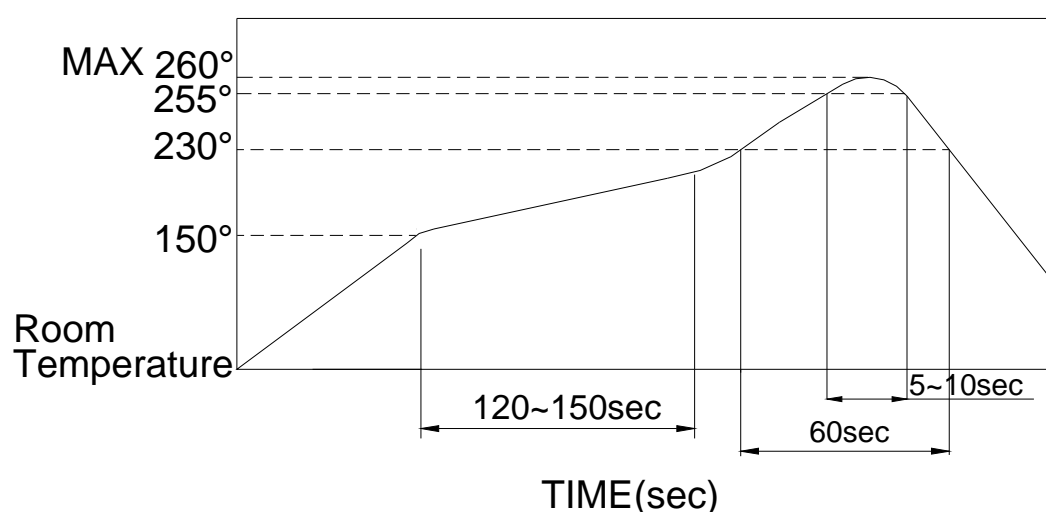
△TERMINAL : Phosphor bronze with silver cladding at Contact surface.

△SPRING : Stainless steel.

SOLDERING PROCESS

△HAND SOLDERING : Use a soldering iron of 30 watts, Controlled at 350°C approximately 5 seconds while applying solder.

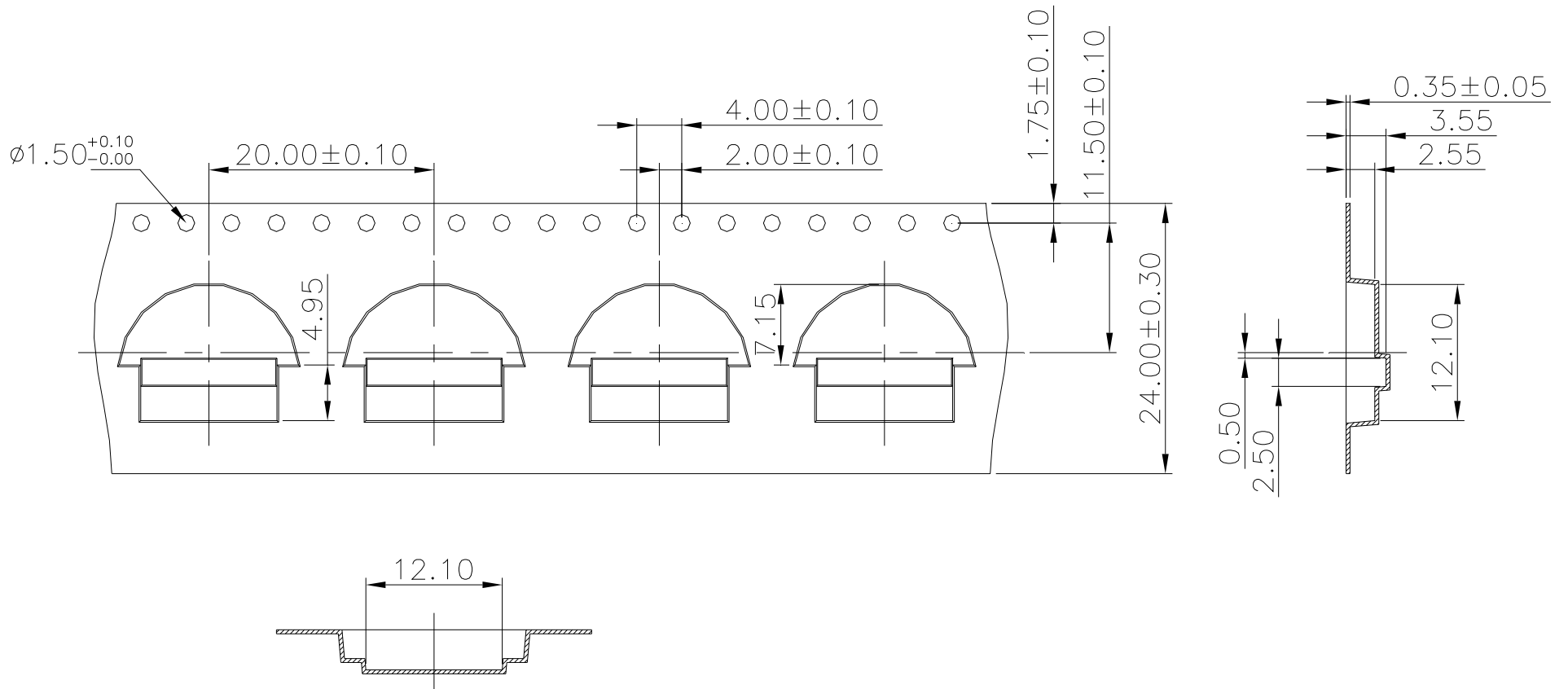
△REFLOW SOLDERING : When applying reflow soldering, the peak temperature or the reflow oven should be set to 260°C max.



PACKING

Part Number	Number Per Reel	
PL3-AC	900	
PL3-BC	900	

PL3-A REEL



General Tolerance : $\pm 0.1\text{mm}$